

# For Professionals by Professionals

GARAGE DOOR OPERATORS – GATE OPERATORS – ACCESSORIES

PRODUCT CATALOGUE



**LiftMaster**

POWERED BY myQ®

# CHAMBERLAIN GROUP



Chamberlain Group Global Headquarters, Oak Brook, Illinois



# LiftMaster®

## LiftMaster – quality that counts

LiftMaster is a brand of the Chamberlain Group.

---

As one of the largest manufacturers worldwide, the Chamberlain Group has produced millions of convenience and security products for private and commercial use since the early 60s.

The garage door and gate operators from LiftMaster are conceived for professional installation and stand for the best quality - down to the smallest detail. The brand focuses here on innovation which makes a difference. The user's requirements are at the forefront of our product development.

A wide range of functions and total quality awareness ensure our products are enjoyable to use and long-lasting.

Since its market launch in 1967, LiftMaster has repeatedly succeeded in setting standards with unique developments - for example, with the revolutionary myQ technology.

In the past 50 years alone, more than 30 significant innovations have been developed as secure and reliable technologies to control garage doors and gates.

First class technology with LiftMaster!

# Full control with just one click

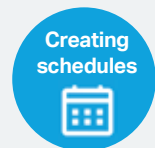
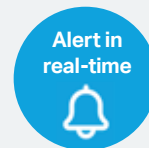
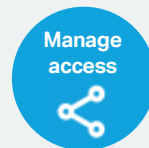
The smart myQ technology was developed to conveniently connect users to the garage door or gate operators.

myQ technology is a simple and ingenious way to make homes safer. Even if the homeowner is not in, they can still access, control and monitor garage doors or gates at any time via a smartphone or tablet. It enables control from anywhere and at anytime, as well as with unsurpassed convenience. The additional functions allow access to be set up for fellow homeowners and guests. Homeowners can also programme individual times at which the door should close or when the myQ LED light automatically switches on or off.

## Simple installation and setup

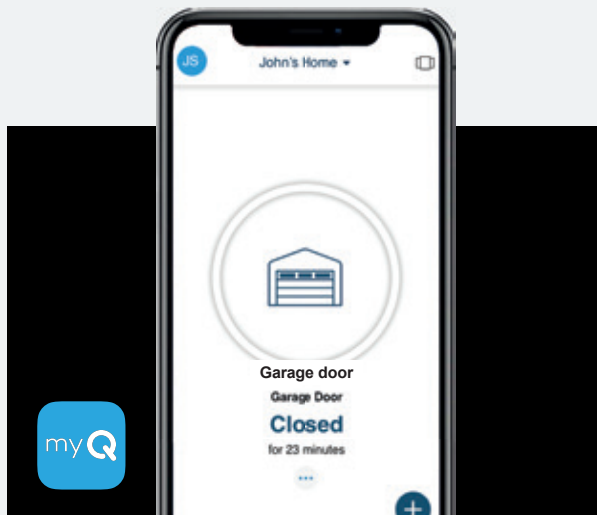
There are lots of functions which connect convenience and security in the free myQ app. The app is ready to use in just a few steps:

1. Install myQ-capable drive in connection with the router
2. Create an account in the myQ app
3. Register the myQ Internet Gateway
4. Programme myQ compatible devices



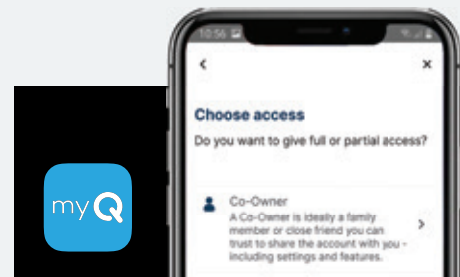
myQ brochures as PDF files:





### Be certain about what is going on at home

Should the door stay closed during the day or at night? Programmable schedules for opening and closing which can be created and adjusted at any time in the myQ app enable individual setup. With the help of the myQ app, you can see at any time and from anywhere whether the door is open and, if necessary, close it while you are away. If a child has forgotten their key, the door can easily be opened from wherever you are. But there's more: push alerts in real-time let you know as soon as the garage door or gate opens or closes.



### Set up guest access

The fellow homeowner function guarantees full access and complete control of all devices to two further family members - or people who you trust. Five additional people can be given restricted myQ guest access, which can be limited to a certain time. This is practical, for example, if you are on holiday and your neighbour is keeping an eye on things. Gardeners or cleaners can also be granted guest access to the property - without the need for any keys.

### myQ Smart Home benefits at a glance

- ✓ Manage access
- ✓ Alerts in real-time
- ✓ Create schedules
- ✓ Full control with history logs



# Convincing performance - certain protection

LiftMaster puts the user's needs in centre stage. We create more comfort and security with our openers, to make life easier and protect what is most important - your home.

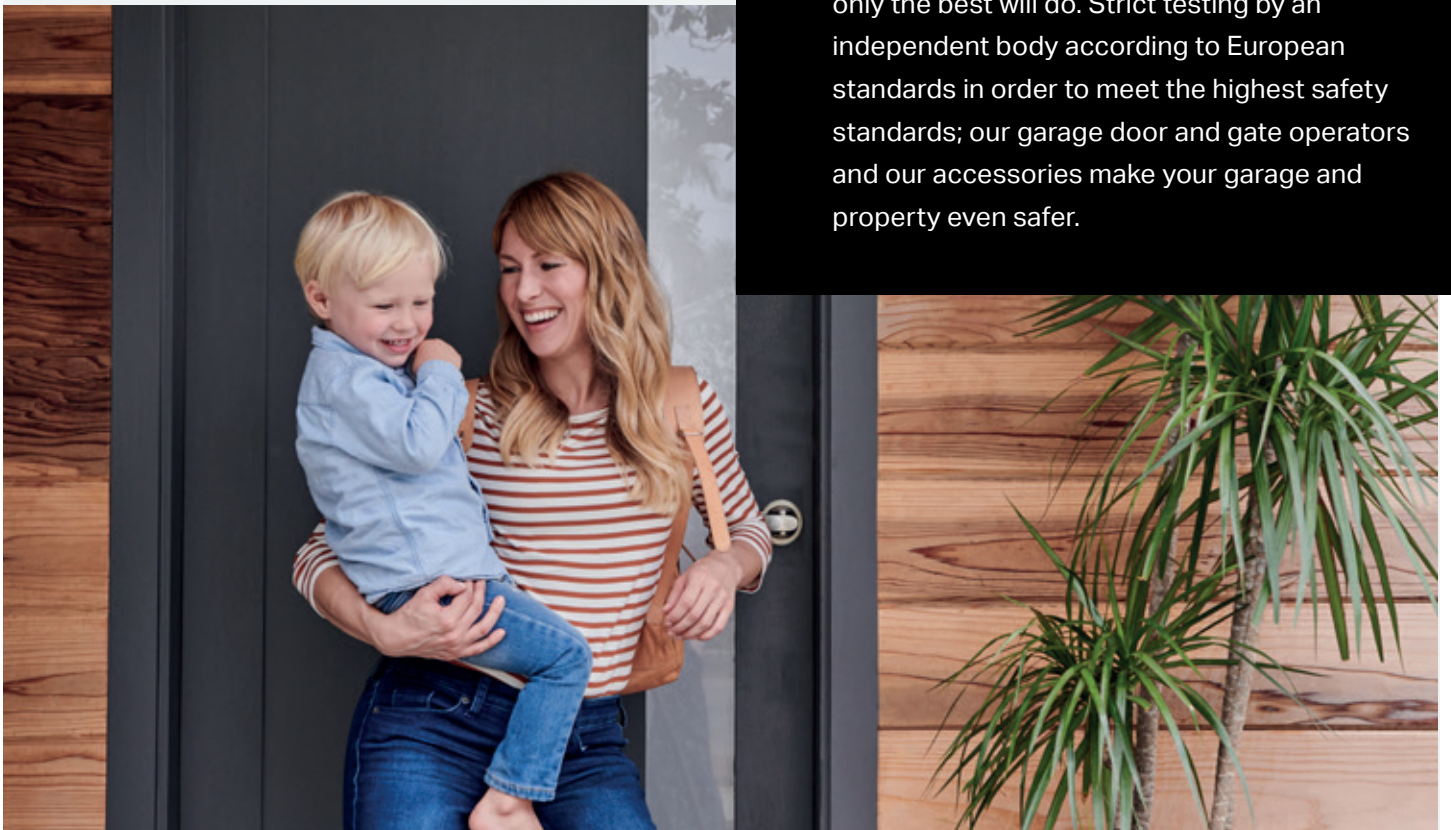
We do this with numerous first-class features in our gate operators. For example, users can define a time at which the gate should automatically close. So during the day, when nobody is at home, or at night, all access to the grounds is locked. This makes it more difficult for intruders to gain access to the property. In addition, an infrared safety sensor ensures that when the photo beam is broken, the gate automatically stops and opens. Obstacle detection through automatic power measurement is a further, important safety feature in our drives.

Easy installation is further ensured through the automatic power setting. Moreover, the Evolution radio sends out a new code at the touch of a button.

But there's more: our garage door operators also offer connections for flashing lights and door in door switch. LiftMaster gate operators also come with an additional quick-release key, just in case.



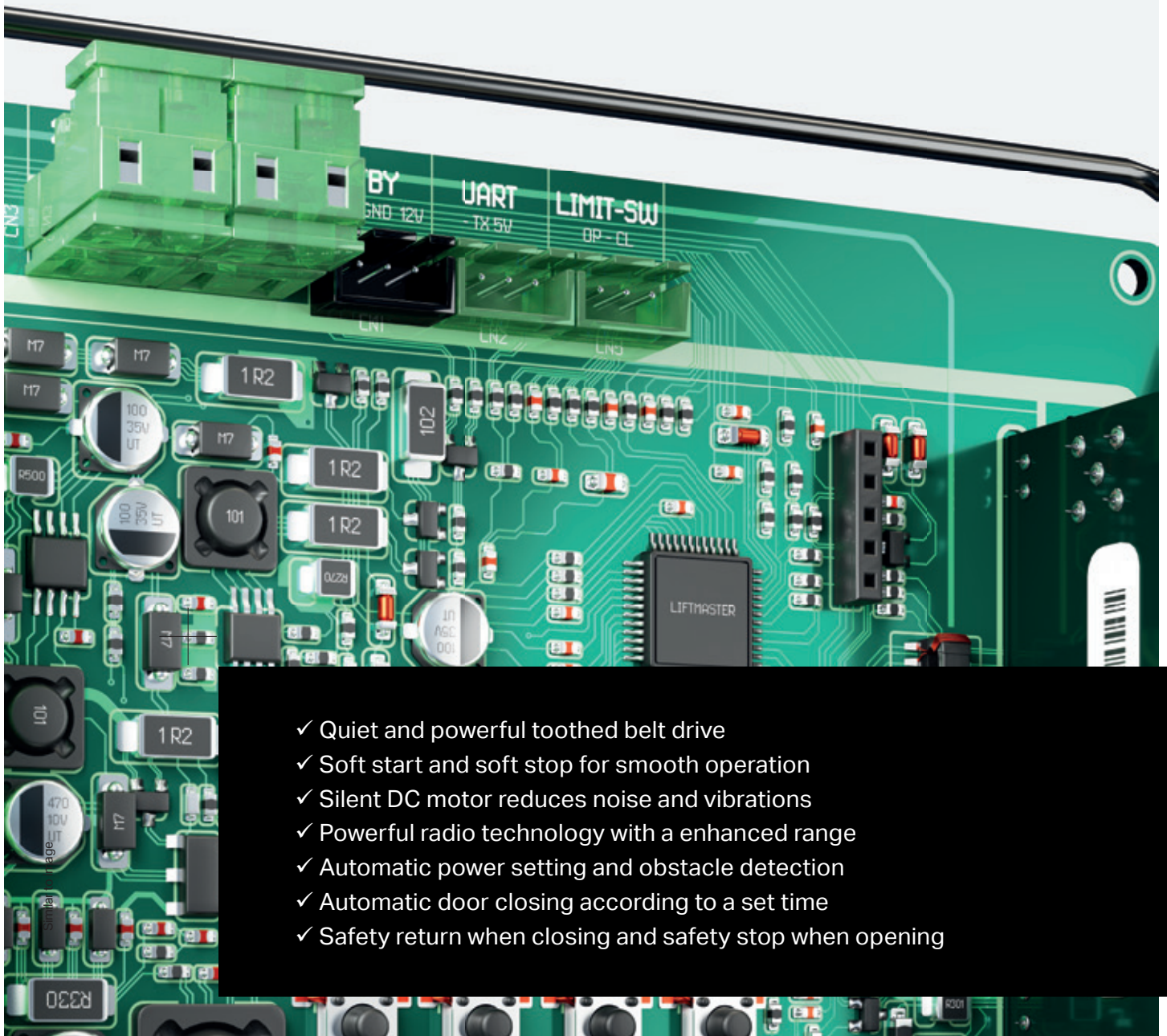
When it comes to the safety of your home, only the best will do. Strict testing by an independent body according to European standards in order to meet the highest safety standards; our garage door and gate operators and our accessories make your garage and property even safer.



# Top class technology

## LiftMaster drives - developed for prolonged use.

LiftMaster drives are characterised by a long lifespan and a broad performance spectrum. They are particularly high-performance and reliable thanks to the various modes and the use of high-quality components. The Evolution radio with its extensive range, the design, preinstalled components for simple installation, the soft start and soft stop function as well as the LED light which flashes immediately after a transmission command, are just a few of the many highlights in our openers.



- ✓ Quiet and powerful toothed belt drive
- ✓ Soft start and soft stop for smooth operation
- ✓ Silent DC motor reduces noise and vibrations
- ✓ Powerful radio technology with an enhanced range
- ✓ Automatic power setting and obstacle detection
- ✓ Automatic door closing according to a set time
- ✓ Safety return when closing and safety stop when opening

# Be successful together

As a professional, LiftMaster provides you with the support you need to familiarise yourself with our products and install them.

---

LiftMaster understands its customers' needs exactly. That's why we meet the highest quality standards in the finest technology.

Strict standards are followed throughout the entire manufacturing process. LiftMaster solutions also score points where design is concerned. A wide portfolio of innovative accessories completes the range.

The garage door and gate operators are designed for professional installers, who offer customers excellent service for the entire LiftMaster product.

The high function and design requirements continue throughout the entire LiftMaster portfolio, in order to guarantee tireless use. The same applies for the service quality requirements - only the best is good enough here.





POWER. QUIET. MULTIFACETED.

# Innovative and smart garage door operators for the highest demands.



# The innovation highlight: Wi-Fi jackshaft operator

The maintenance-free jackshaft operator LM3800W for garage doors is a hit due to the innovative Wi-Fi technology.

The Wi-Fi technology has lots of advantages and makes setting up the garage door operator set-up a breeze. No separate gateway is required for installation and use. This completely eliminates cabling from the gateway to the router.

To set it up, simply create a Wi-Fi connection to the router, create a myQ account and add the opener to your user account. The myQ set up can now be completed quickly and easily via the app on a smartphone or tablet.

There are some important additional elements included for later operation: these include two 4-channel transmitters, which can each control up to four openers, a coupling which guarantees a secure connection between the shaft and the drive, an e-lock, which automatically locks the garage door when closing, as well as the long-lasting myQ radio LED light with low energy use for flexible positioning.



## Wi-Fi jackshaft benefits at a glance

- ✓ Manage access ✓ Alerts in real-time ✓ Create schedules
- ✓ Full control with history logs ✓ Up to two cable tension monitors can be connected ✓ Connectable flashing light ✓ Programmable automatic closing\*

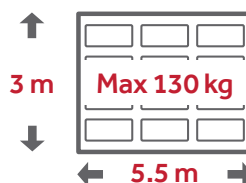
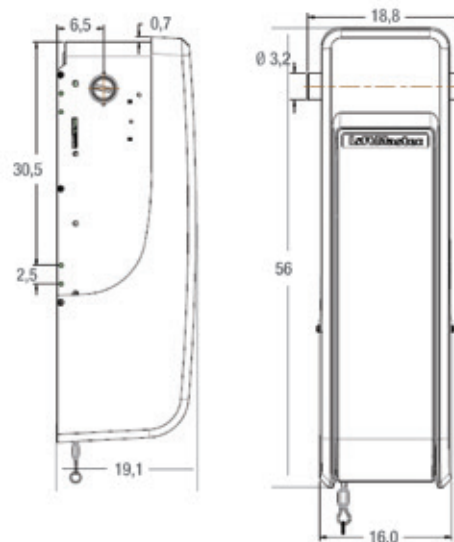
\*only with safety sensor



# LM3800W

36 Nm | for doors up to 130 kg

Motor warranty: 5 years



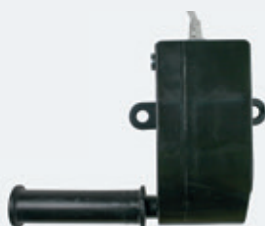
## Accessories included

**TX4EVF**



**4-channel remote transmitter**  
Controls up to 4 drives.

**041A9264**



**Cable tension monitor**  
For doors without spring cable failure safety device (including cable)

**841EU**



**E-lock 12V**  
Automatically locks the garage door when closed. 2 e-locks can be connected.

**827EV**



**myQ radio LED light**  
LED can be flexibly positioned with low energy consumption.

## Optional accessories



**TX4EVS** 4-channel remote transmitter with sliding cover

**780EV**  
**485EU**  
**771EVK**

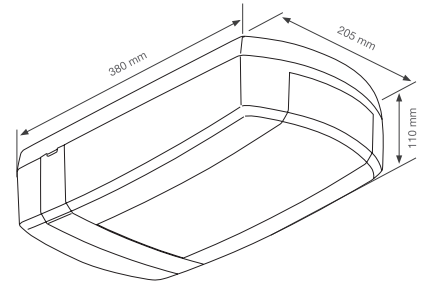
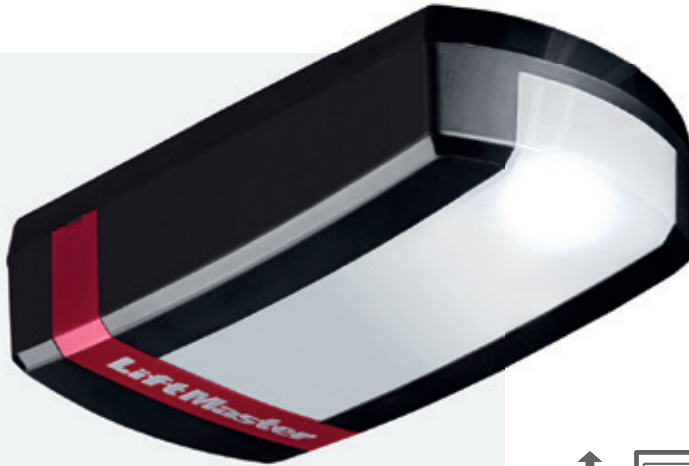
wireless keypad  
Back-up battery 12 V  
Safety sensor kit

**041A9264** cable tension monitor incl. cable  
**841EU** E-lock

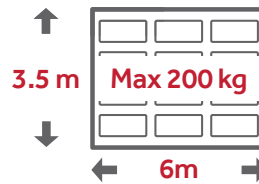
# LM130EVFA

1300 N | for doors up to 200 kg

powerful



**Motor warranty: 10 years**  
EVFA operator series available in Q3/2022



Max. **130 mm/s** to open  
**130 mm/s** to close

## Accessories included

### TX4EVF



**4-channel remote transmitter**  
Controls up to 4 drives.

### 128EV



**2-channel wireless wall control**  
Controls up to 2 openers.  
Simple wireless installation.

### 771EVK



**Safety sensor kit**  
Includes Hardware and cable. LED displays the status of the safety sensor.

## Optional accessories



**828EV** Internet Gateway  
**780EV** Wireless keypad

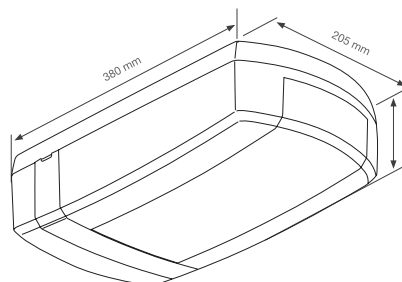
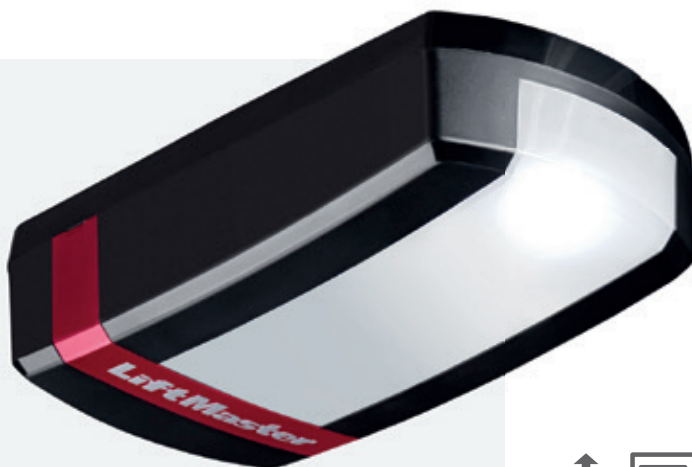
**FLA1-LED** LED flashing light  
universal application

**ADP-1EVO** external adapter for EVFA operator series  
**827EV** myQ radio LED light

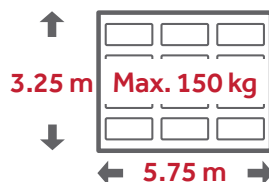
# LM100EVFA

1000 N | for doors up to 150 kg

fast



**Motor warranty: 8 years**  
EVFA operator series available in Q3/2022



Max.  
**200 mm/s**  
to open  
**200 mm/s**  
to close

## Accessories included

### TX4EVF



**4-channel remote transmitter**  
Controls up to 4 drives.

### 128EV



**2-channel wireless wall control**  
Controls up to 2 openers.  
Simple wireless installation.



## Optional accessories

**828EV** Internet Gateway  
**780EV** Wireless keypad

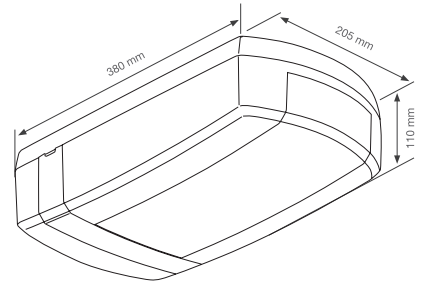
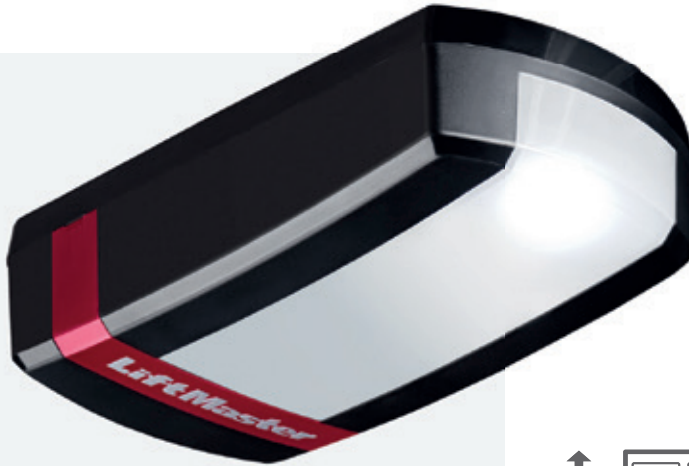
**FLA1-LED** LED flashing light  
universal application  
**771EVK** Safety sensor kit

**ADP-1EVO** external adapter for  
EVFA operator series  
**827EV** myQ radio LED light

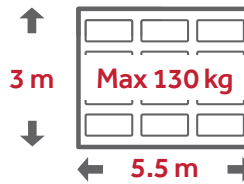
# LM80EVFA

800 N | for doors up to 130 kg

quiet



**Motor warranty: 6 years**  
EVFA operator series available in Q3/2022



## Accessories included

**TX4EVF**



**4-channel remote transmitter**  
Controls up to 4 drives.

**128EV**



**2-channel wireless wall control**  
Controls up to 2 openers.  
Simple wireless installation.



## Optional accessories



**828EV** Internet Gateway  
**780EV** Wireless keypad

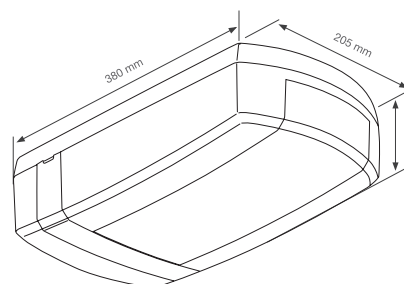
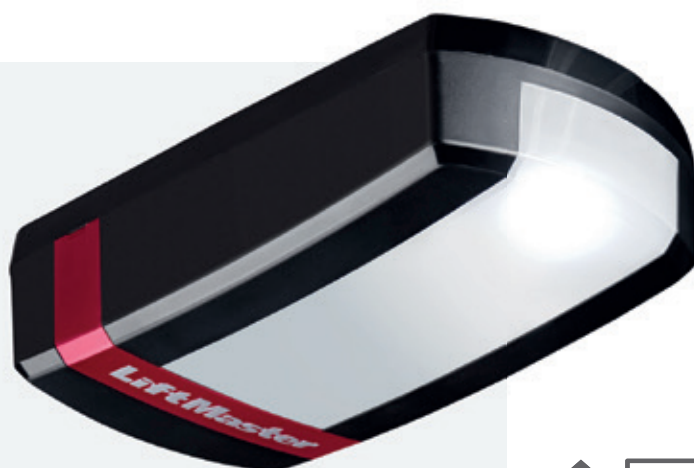
**FLA1-LED** LED flashing light universal application  
**771EVK** Safety sensor kit

**ADP-1EVO** external adapter for EVFA operator series  
**827EV** myQ radio LED light

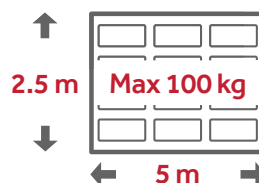
# LM60EVFA

600 N | for doors up to 100 kg

versatile



**Motor warranty: 5 years**  
EVFA operator series available in Q3/2022



## Accessories included

TX4EVF



**4-channel remote transmitter**  
Controls up to 4 drives.



## Optional accessories

**828EV** Internet Gateway

**128EV** 2-channel wireless wall control

**780EV** Wireless keypad

**771EVK**

**FLA1-LED**

Safety sensor kit

LED flashing light

universal application

**ADP-1EVO**

external adapter for  
EVFA operator series

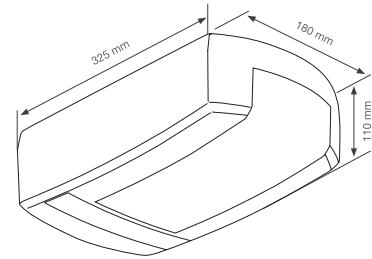
**827EV**

myQ radio LED light

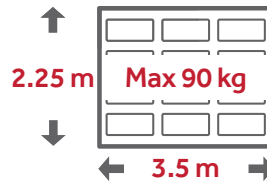
# LM55EVF

600 N | for doors up to 90 kg

compact



Motor warranty: 3 years



## Accessories included

TX4EVF



4-channel remote transmitter  
Controls up to 4 openers.



## Optional accessories

128EV 2-channel wireless wall control  
780EV Wireless keypad

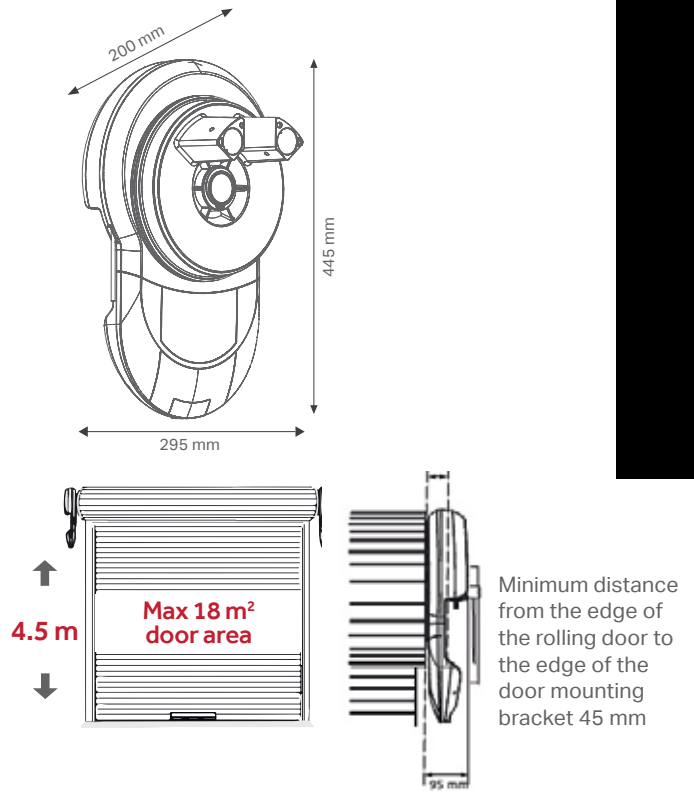
75EV illuminated push button  
771EVK Safety sensor kit





# LM750EVGB

35 Nm | for single skin roller doors up to 120 kg



## Accessories included

**TX4EVS**

**4-channel remote transmitter**  
Controls up to 4 openers.

**128EV**

**2-channel wireless wall control**  
Controls up to 2 openers.  
Simple wireless installation.



## Optional accessories



**828EV** Internet Gateway  
**TX4UNIF** 4-channel remote transmitter

**TX4UNIS** 4-channel remote transmitter  
**780EV** Wireless keypad

**771EVK** Safety sensor kit  
**75EV** illuminated push button

# Premium functions for satisfied customers

The combination of technical innovation and increased functionality are the result of many years of development and concern for true added value.



## INNOVATIVE myQ TECHNOLOGY

Increased security and convenience with our innovative myQ technology. Easily monitor and control the garage door from any where in the world via a smartphone or tablet with our openers. The guest function adds many further practical features.

\* excluding LM55EVF



## POWER LIES IN SILENCE

The silent and gentle functionality of the Evolution garage door openers is unique. The DC motors reduce the noise and vibrations and lead to gentle and quiet operation.



## LOW STANDBY CONSUMPTION

Our extremely low standby consumption is economical and environmentally friendly, thereby benefiting the environment and your wallet.



## EASY INSTALLATION

Our garage door openers are installed in next to no time thanks to pre-assembled components. This saves valuable time.



## HIGH RUNNING SPEED

LiftMaster openers are forerunners when it comes to speed. A speed of max. 200m/s is an important security and convenience feature.



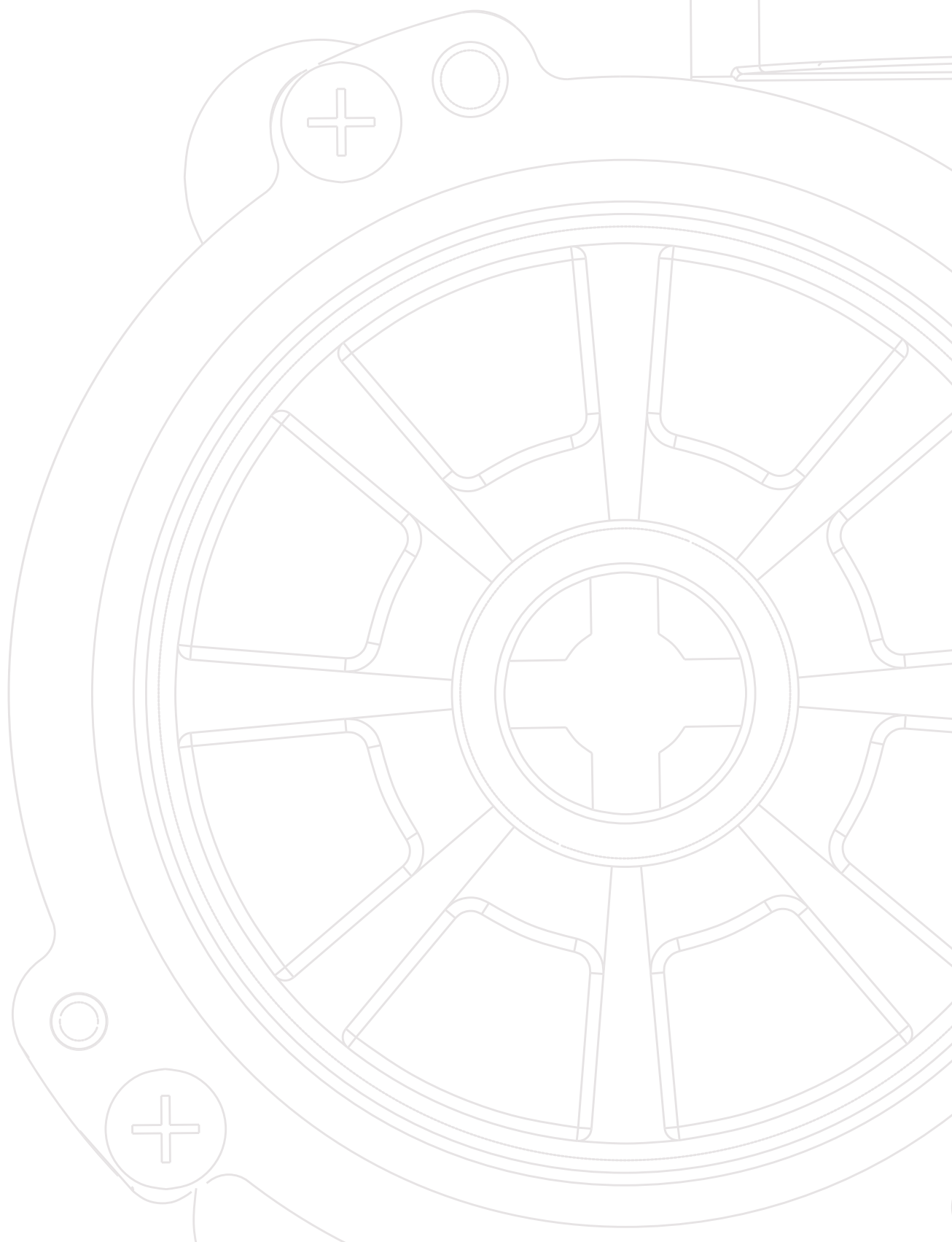
## STANDARD RADIO TECHNOLOGY

All openers are compatible with myQ technology and based on the same radio technology as our gate openers. This enables the operation of garage doors and gates as well as LED lights with just one remote control.

# Technical

# specifications

# garage door openers



# OVERVIEW OF OPENERS

## Technical details and specifications

Overview of opener features	LM3800W	LM750EVGB
Door width		/
1-piece garage door (mm)	/	/
Sectional garage door (mm)	5500	/
Canopy door (mm)	/	/
Door height		/
1-piece garage door	/	/
Sectional garage door	3000	/
Canopy door	/	/
Garage door weight	130 kg	120 kg
Lifting force max. (N)	36 Nm	35 Nm
Input voltage	230-240 V AC	220-240 V AC
Network frequency	50 Hz	50-60 Hz
Maximum speed (mm/sec)	21 rpm (↓), 36 rpm (↑)	/
Standby power consumption (Watt)	max. 2.6 W	max. 0.8W
Cycles/h	/	5
Warranty / cycle (open/close = 1x)	/	/
Warranty on motor (years)	5	5
Warranty on control board (years)	2	2
Rotate the garage door opener head (130 mm space saving)	no	no
Automatic light delay	/	/
Electronic travel programming	yes	yes
myQ compatible (in connection with 828EV)	Wi-Fi integrated	yes
Automatic force learning	yes	yes
Push-button connection	yes	yes
Door-in-door connector (in connection with ADP-1EVO)	no	no
Safety sensor connection	yes	yes
Flashing light connection	yes	no
30V output for external receiver	no	no
Open-stop-close, programming with a remote control	no	yes
Time for automatic closing (in connection with safety sensor)	yes	yes
Programming a partial open position	no	yes
Holiday mode (deactivating the radio) using 78EV	no	no
Radio code	Security +2.0	Security +2.0
Memory slots	64	64
Frequencies	433 / 868 MHz (Wi-Fi 2.4 GHz)	433 / 868 MHz
Rail profile in mm	/	/
Cardboard packaging dimensions / weight	70.7 x 25 x 29.6 cm   14.8 kg	48.5 x 32 x 22.5 cm   7 kg



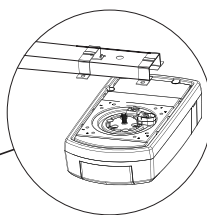
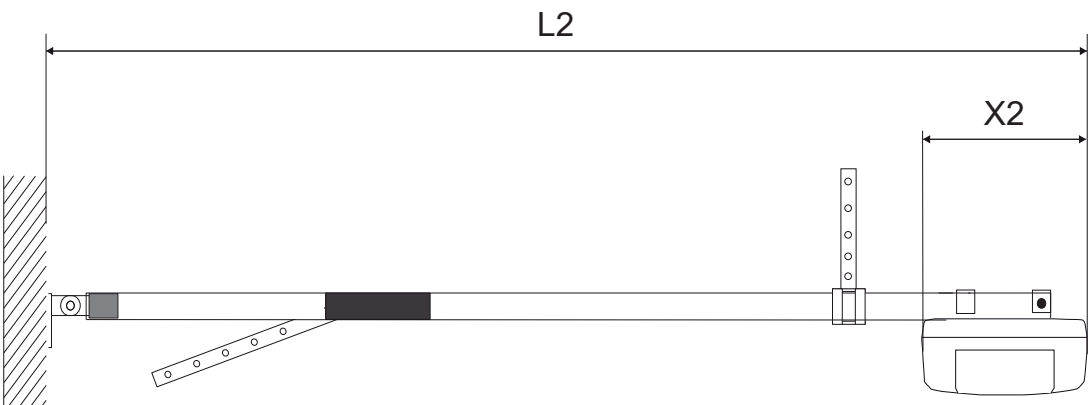
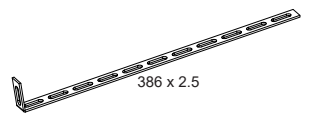
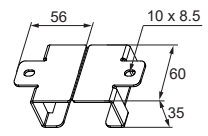
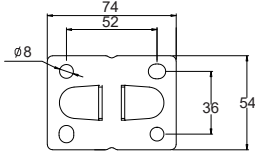
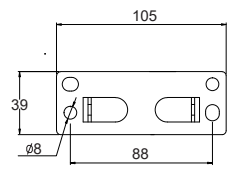
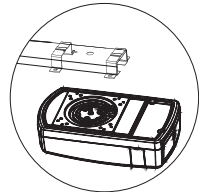
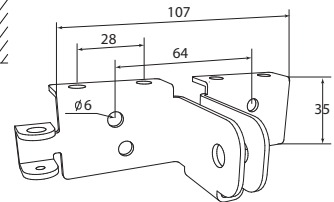
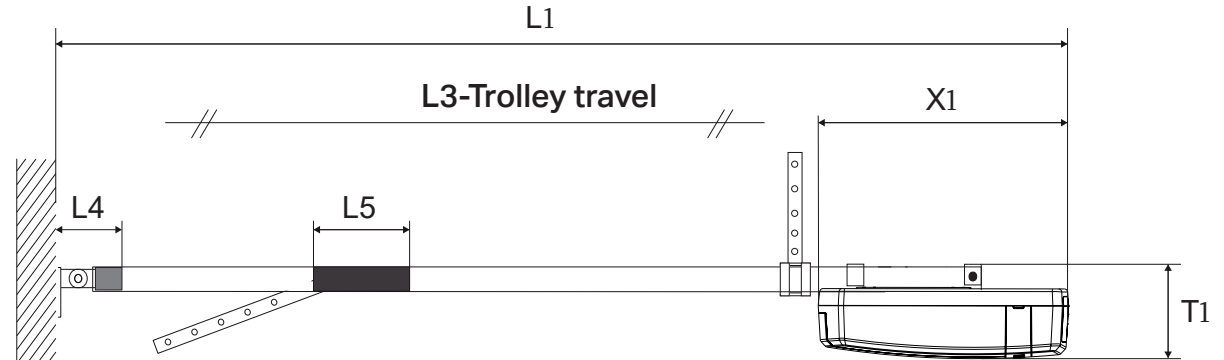
## Product Warranty

The complete product warranty declares the product is free from defects in materials and faulty workmanship, unless specified differently, is 2 years for LM55EVF, LM750EVGB and 5 years for LM60EVFA, LM80EVFA, LM100EVFA and LM130EVFA range as well as for LM3800W. The complete warranty contains all product parts except for typical consumables (e.g. batteries) and general wear and tear parts.

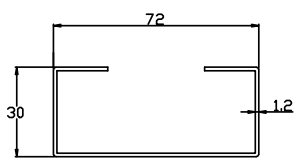
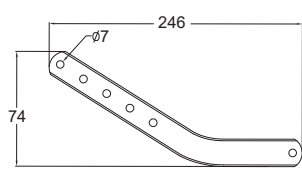
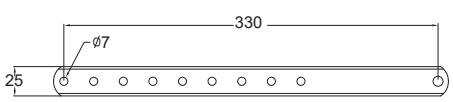
LM55EVF	LM60EVFA	LM80EVFA	LM100EVFA	LM130EVFA
3500	5000	5500	5750	6000
3500	5000	5500	5750	6000
n/a	3000	3500	3500	4000
2250	2500	3000	3250	3500
2250	2500	3000	3250	3500
n/a	2500	2500	2500	2500
90 kg	100 kg	130 kg	150 kg	200 kg
600 N	600 N	800 N	1000 N	1300 N
220-240 V AC	220-240 V AC	220-240 V AC	220-240 V AC	220-240 V AC
50/60 Hz	50/60 Hz	50/60 Hz	50/60 Hz	50/60 Hz
100	160	200	200	130
max. 0.8W	max. 0.8W	max. 0.8W	max. 0.8W	max. 0.8W
5	6	10	10	10
5000	10,000	10,000	15,000	15,000
3	5	6	8	10
3	5	5	5	5
no	yes	yes	yes	yes
2.5 min	2.5 min	2.5 min	2.5 min	2.5 min
yes	yes	yes	yes	yes
no	yes	yes	yes	yes
yes	yes	yes	yes	yes
yes	yes	yes	yes	yes
no	yes	yes	yes	yes
yes	yes	yes	yes	yes
no	yes	yes	yes	yes
yes	yes	yes	yes	yes
no	yes	yes	yes	yes
no	yes	yes	yes	yes
Security +2.0	Security +2.0	Security +2.0	Security +2.0	Security +2.0
40	180	180	180	180
433 / 868 MHz	433 / 868 MHz	433 / 868 MHz	433 / 868 MHz	433 / 868 MHz
30	30	30	30	30
34.5 x 19.5 x 20 cm   3.95 kg	39.5 x 19.5 x 24 cm   4.8 kg	39.5 x 19.5 x 24 cm   5.5 kg	39.5 x 19.5 x 24 cm   5.5 kg	39.6 x 24.3 x 24 cm   7.5 kg

# C-RAILS OVERVIEW

Technical details and specifications of the C-rails



Not possible with LM55EVF



All standard rails are manufactured from steel in a 30 mm C-profile.  
They are ready for quick installation.

Drive	C-rail model	Rails	L1 (mm)	L2 (mm)	L3 (mm)	L4 (mm)	L5 (mm)	X1 (mm)	X2 (mm)	T1 (mm)
LM60EVFA LM80EVFA LM100EVFA LM130EVFA	8023CR5	2998	3183	3053	2498	180	165	380	210	142
	8323CR5	2998	3183	3053	2498	180	165	380	210	142
	8025CR5	3187	3372	3242	2687	180	165	380	210	142
	8030CR5	3696	3881	3751	3196	180	165	380	210	142
	810CR5	698	Extensions for 8023CR5 / 8323CR5							
	840CR5	695	Extensions for 8030CR5							
LM55EVF	8023CR5	2998	3151	/	2498	180	165	320	180	122
	8323CR5	2998	3151		2498	180	165	320	180	122

Rails	Sectional garage door				1-piece garage door
	Low-headroom dual rail		Normal-headroom single rail		
	Front spring	Rear spring	Front spring	Rear spring	
8023CR5 / 8323CR5 (short rails)	2160 mm	2010 mm	2300 mm	2110 mm	2300 mm
8025CR5 / 8225CR5 (medium rails)	2350 mm	2200 mm	2500 mm	2300 mm	2500 mm
8030CR5 (long rails)	2860 mm	2710 mm	3010 mm	2810 mm	
8023CR5 / 8323CR5 + 810CR5	2860 mm	2710 mm	3010 mm	2810 mm	
8030CR5 + 840CR5	3840 mm	3690 mm	3990 mm	3790 mm	

# Smart technology, high security and the best quality

The gate openers from LiftMaster connect everything a homeowner could wish for: simple and convenient operation with myQ, as well as security with state of the art technology.

If you often ask yourself on the way to work, when leaving the house or shopping whether you have closed the garage door or gate, you've got the tool for the job with the myQ app. Using the app you can check the status of the door or gate at any time and from anywhere. You can also create closing times, set up further accesses and open the doors or gates whenever you like.

Our mission at LiftMaster is not only to meet our customers' expectations, but to exceed them. We place the highest demands on the quality of our products and on our services.

Each one of us contributes towards continuously increasing our effectiveness and quality.

High user convenience and the best security are combined in LiftMaster products. Our numerous features ensure that there are no security gaps. Paired with particularly quiet high-performance motors, the Evolution radio with a wide range, a space-saving drive design and much more, our LiftMaster products stand for the highest quality which convinces demanding homeowners.

See the status of garage doors and gates anytime and anywhere and open and close as you like.





POWERFUL. RELIABLE. FAST.

# The perfect gate opener for every home.



# The brand for professionals

## The advantage for your business

The highest quality standards in materials and production guarantee a long life and security for demanding homeowners.



### **POWERFUL 24 V MOTORS**

Our openers\* perform safely, quietly and reliably. With the powerful 24V DC motors, speed and power can be set under password protection, so that only specialists can change the set adjustments.

\* excluding LA400EV / SUB324M



### **EASY INSTALLATION**

Numerous, pre-assembled components, such as the control board\* with integrated radio module and transformer or factory installed, pre-programmed transmitters, make installation easier and save time.

\* excluding LA400EV / SUB324M



### **INNOVATIVE CONTROL BOARD WITH LED DISPLAY**

Our advanced control board enables unified programming of all opener models\* and therefore saves installation time. The practical LED display ensures simple and visible 4-button programming and is easy to read in daylight conditions.

\* excluding LA400EV / SUB324M



### **SHARED RADIO TECHNOLOGY**

All models are compatible with the innovative myQ technology and based on the same radio technology as LiftMaster garage door drives. This enables the operation of garage doors and gates as well as LED lights with just one remote control.



### **SEPARATELY PROGRAMMABLE INPUTS**

A total of three separately programmable inputs enable the individual connection of, for example, additional safety sensor sets, which are automatically recognised and, depending on the setting, guarantee the detection of obstacles in various directions.



### **HIGHEST QUALITY AND MODERN DESIGN**

The use of the highest quality components makes all LiftMaster drives extremely powerful and resistant products, which meet the highest demands with their modern design.

# LA250EVK

125 daN | for gates up to 250 kg per leaf



**Motor warranty: 2 years**

**Max. gate weight at max. leaf width:**

250 kg / 1.5 m

200 kg / 2 m

150 kg / 2.5 m

**Max. cycles h/day: 8/25**

**Opening time 90°: <15-18s**



## Delivery kit LA250EVK

**LA250EV**

**2 x 24 V swing gate operator**



**TX4EVF**

**2 x 4-channel remote transmitters**

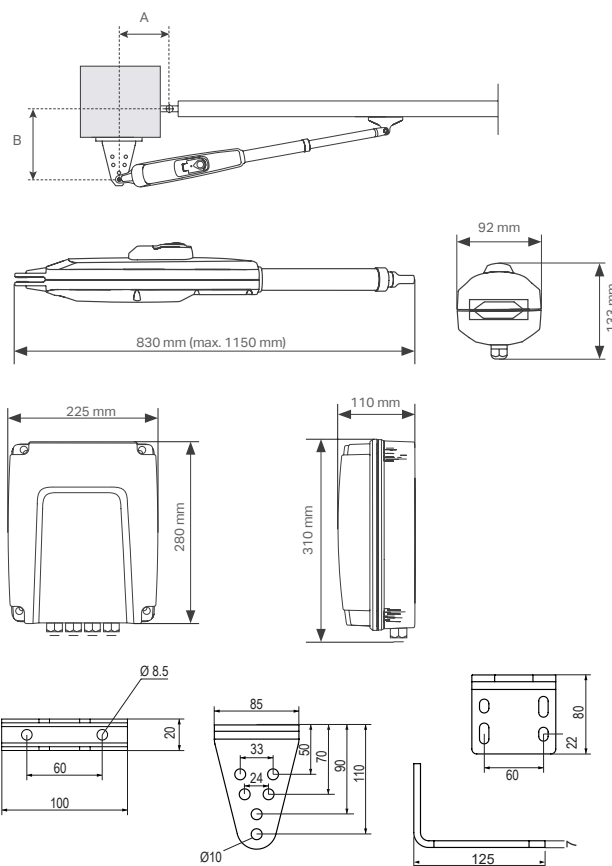
Controls up to 4 openers



**CB324EV**

**1 x control board**

factory installed Includes transformer and integrated radio module



## Further kits

**LA250EVK-01** LA250EVK-Kit  
+ infrared safety sensor (772E-01)

**LA250EVK-02** LA250EVK-Kit  
+ flashing light (FLA1LED)

**LA250EVK-03** LA250EVK-Kit  
+ infrared safety sensor (772E-01)  
+ flashing light (FLA1LED)

## Overview possible opening angles

mm		A				
		100	120	140	160	180
B	100	n.a.	110°	105°	105°	100°
	120	110°	110°	100°	95°	95°
	140	100°	100°	100°	90°	80°
	160	95°	95°	90°	85°	75°
	180	90°	90°	80°	75°	70°

# LA300EVK

150 daN | for gates up to 300 kg per leaf



**Motor warranty: 2 years**

**Max. gate weight at max. leaf width:**

- 300 kg / 2 m
- 250 kg / 2.5 m
- 200 kg / 3 m

**Max. cycles h/day: 10/30**  
**Opening time 90°: ~ 15-18s**



## Delivery kit LA300EVK

**LA300EV**



**2 x 24 V swing gate operator**  
with integrated end stops

**TX4EVF**



**2 x 4-channel remote transmitters**  
controls up to 4 drives

**CB324EV**

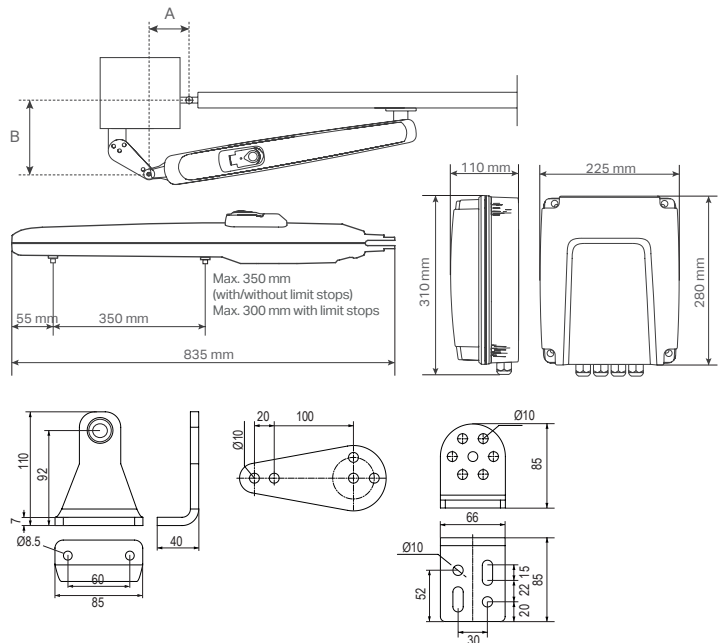


**1 x control board**  
factory installed Includes transformer and integrated radio module

## Further kits

### Further kits

- LA300EVK-01** LA300EVK-Kit  
+ infrared + safety sensor (772E-01)
- LA300EVK-02** LA300EVK-Kit  
+ flashing light (FLA1LED)
- LA300EVK-03** LA300EVK-Kit  
+ infrared safety sensor (772E-01)  
+ flashing light (FLA1LED)



## Overview possible opening angles

With internal fixed stop with max. 300 mm travel path

mm	A					
	100	120	140	160	180	
B	100	n.a.	110°	105°	105°	100°
	120	110°	110°	100°	95°	95°
	140	100°	100°	100°	90°	80°
	160	95°	95°	90°	85°	75°
	180	90°	90°	80°	75°	70°

Without internal fixed stop with max. 350 mm travel path

mm	A					
	100	120	140	160	180	
B	100	n.a.	120°	120°	120°	120°
	120	115°	115°	115°	110°	100°
	140	105°	110°	110°	105°	100°
	160	100°	100°	100°	95°	90°
	180	95°	95°	95°	90°	85°

# LA400EV

250 daN | for gates up to 250 kg per leaf



**Motor warranty: 2 years**

**Max. gate weight at max. leaf width:**

250 kg / 4 m

160 kg / 5 m

140 kg / 5.5 m

**Max. cycles h/day: 16/50**

**Opening time 90°: 15s**



## Delivery includes

**LA400EV**

**1 x 24 V swing gate operator**



## Required accessories

**CB124EV**

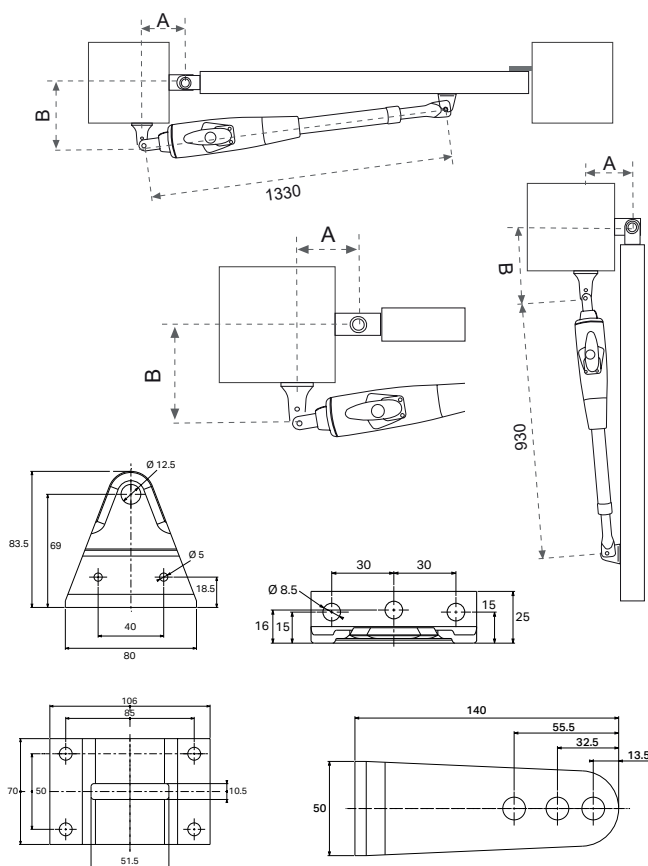


**Control board**  
for 24 V leaf gate drives  
with e-box, transformer and  
integrated radio module

**TX4EVF**



**4-channel remote transmitter**  
868 MHz



## Overview possible opening angles

		A						
		14	16	18	20	22	24	26
B	14	105°	120°	125°	111°	105°	99°	95°
	16	103°	118°	113°	102°	98°	94°	90°
	18	111°	115°	105°	97°	93°	90°	
	20	109°	103°	96°	90°	100°		
	22	106°	95°	90°		87°		
	24	93°						
	26							

A=19cm  
B=19cm = approx. 90°

# AA250EVK

200 Nm | for gates up to 250 kg per leaf

POWERED BY  
myQ®

**Motor warranty: 2 years**

**Max. gate weight at max. Leaf width**

250 kg / 1.5 m

200 kg / 2 m

150 kg / 2.5 m

**Max. cycles h/day: 10/30**

**Opening time 90: <13-15s**



## Delivery kit AA250EVK

**AA250EV**



**2 x 24 V swing gate operator  
2 x articulated arms**

**TX4EVF**

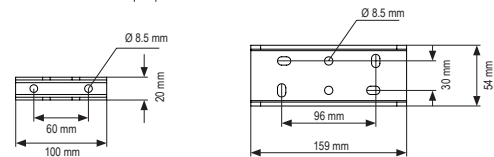
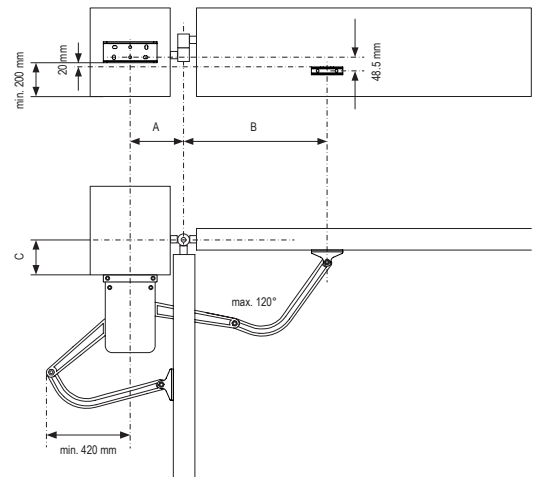
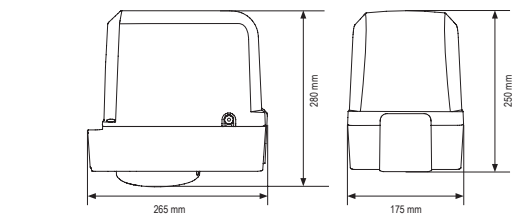


**2 x 4-channel remote transmitters 868 MHz (TX4EVF)**

**041A0288**



**1 x control board**  
factory installed Includes transformer and integrated radio module



## Further kits

**AA250EVK-01** AA250EVK-Kit  
+ infrared safety sensor (772E-01)

**AA250EVK-02** AA250EVK-Kit  
+ flashing light (FLA1LED)

**AA250EVK-03** AA250EVK-Kit  
+ infrared safety sensor (772E-01)  
+ flashing light (FLA1LED)

## Overview possible opening angles

	A	B	C
Opening angle	mm		
90°	150-300	390-540	0-200
120°	300-350	300-350	0-25

# SL400EVK

400 N | for gates up to 400 kg per leaf



**Motor warranty: 2 years**

**Max. gate weight with max. leaf width**

400 kg max. weight per leaf

5 m max. width per leaf\*

**Max. cycles h/day: 7/25**

**Max. opening speed: 240mm/sec.**

\* 2-leaf application via synchronisation possible.  
2nd Sliding gate drive required



## Delivery kit SL400EVK

**SL400EV**



1x 24 V sliding gate operator

**TX4EVF**



2x 4-channel remote transmitter

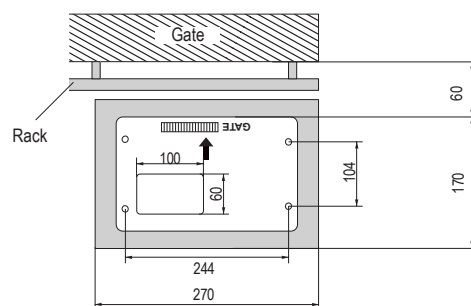
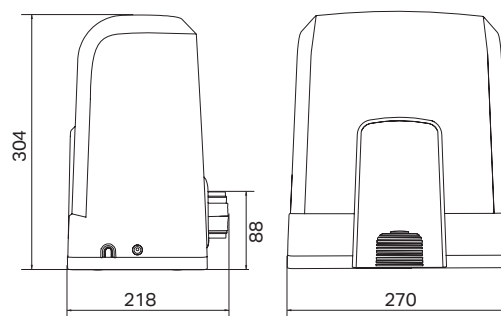
Controls up to 4 openers

**041A0288**



1 x control board

factory installed Includes transformer and integrated radio module

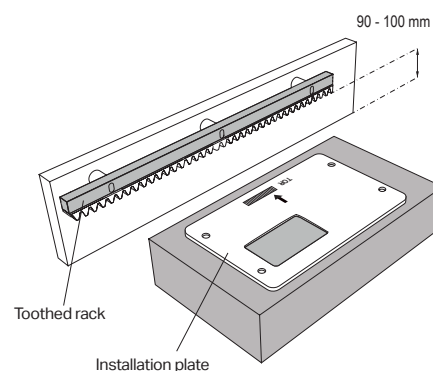


## Further kits

**SL400EVK-01** SL400EVK-Kit  
+ infrared safety sensor (772E-01)

**SL400EVK-02** SL400EVK-Kit  
+ flashing light (FLA1LED)

**SL400EVK-03** SL400EVK-Kit  
+ infrared safety sensor (772E-01)  
+ flashing light (FLA1LED)



# SL600EVK

600 N | for gates up to 600 kg per leaf

POWERED BY  
myQ®

**Motor warranty: 2 years**

**Max. gate weight with max. leaf width**

600 kg max. weight per leaf  
8 m max. width per leaf\*

**Max. cycles h/day: 8/27**

**Max. opening speed: 240mm/sec.**

\* 2-leaf application via synchronisation possible.  
2nd Sliding gate drive required



## Delivery kit SL600EVK

**SL600EV**



**1x 24 V sliding gate operator**

**TX4EVF**

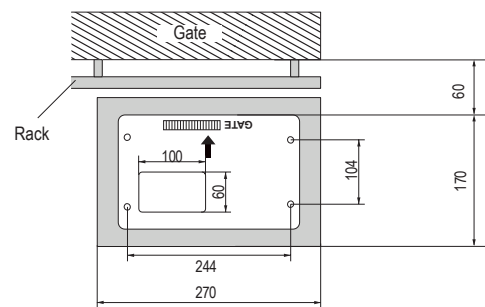
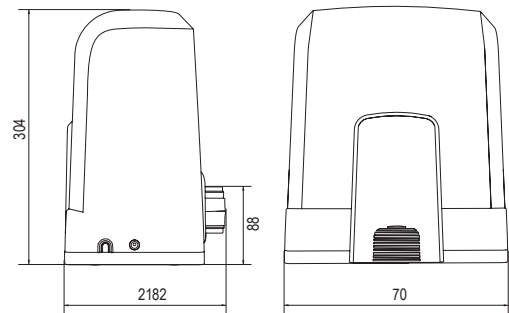


**4-channel remote transmitter**  
Controls up to 4 openers

**041A0288**

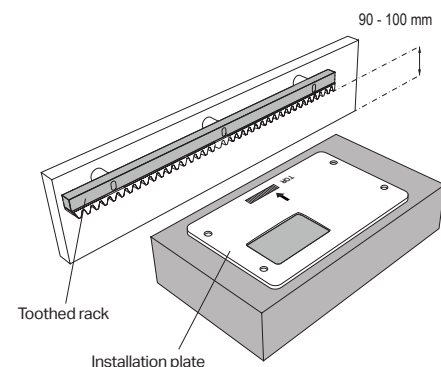


**1 x control board**  
factory installed Includes transformer and integrated radio module



## Further kits

- |                    |  |
|--------------------|--|
| <b>SL600EVK-01</b> | SL600EVK-Kit<br>+ infrared + safety sensor (772E-01)                             |
| <b>SL600EVK-02</b> | SL600EVK-Kit<br>+ flashing light (FLA1LED)                                       |
| <b>SL600EVK-03</b> | SL600EVK-Kit<br>+ infrared safety sensor (772E-01)<br>+ flashing light (FLA1LED) |





# SL1000EVK

800 N | for gates up to 1000 kg per leaf



**Motor warranty: 2 years**

**Max. gate weight with max. leaf width**

1000 kg max. weight per leaf

12 m max. width per leaf\*

**Max. cycles h/day:** 10/30

**Max. opening speed:** 240mm/sec.

\* 2-leaf application via synchronisation possible.  
2nd Sliding gate drive required



## Delivery kit SL1000EVK

**SL1000EV**



**1x 24 V sliding gate operator**

**TX4EVF**

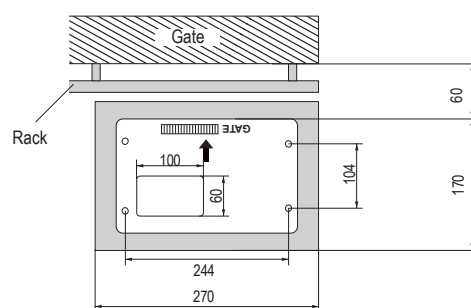
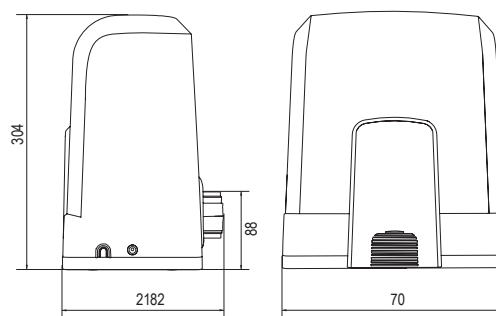


**4-channel remote transmitter**  
Controls up to 4 openers

**041A0288**



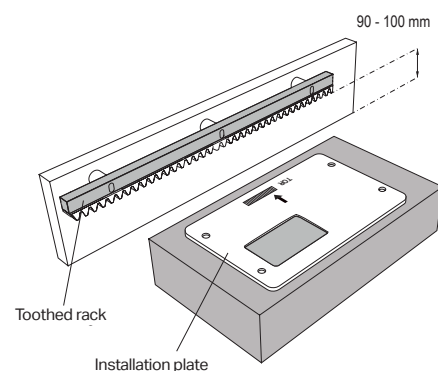
**1 x control board**  
factory installed Includes transformer and integrated radio module



**SL1000EVK-01** SL1000EVK-Kit  
+ infrared + safety sensor (772E-01)

**SL1000EVK-02** SL1000EVK-Kit  
+ flashing light (FLA1LED)

**SL1000EVK-03** SL1000EVK-Kit  
+ infrared safety sensor (772E-01)  
+ flashing light (FLA1LED)

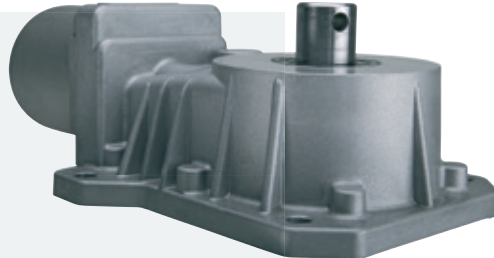


# SUB324M

## SUB300B-02 / SUB110-02

350 N | for gates up to 300 kg per leaf

POWERED BY  
myQ®



**Motor warranty: 2 years**

**Suitable for the following gate dimensions:**

300 kg max. weight per gate leaf

2.5 m max. width per gate leaf

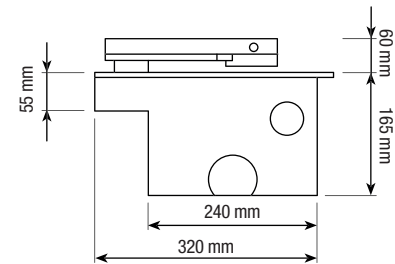
**Max. cycles day: 60**

**Opening time 90°: ~ 15s**

### Underground drive system

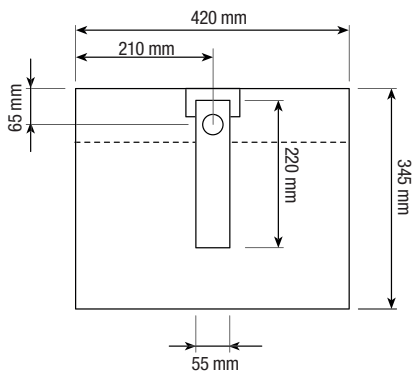
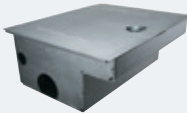
**SUB324M**

1 x 24 V motor



**SUB300B-M**

1 x underground drive box



**SUB110-02**

1 x 110° gate arm



### Required accessories

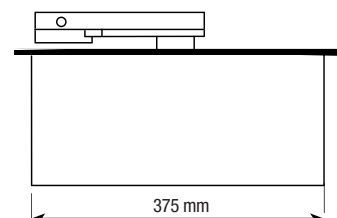
**CB124EV**

**Control board for 24 V leaf gate drives**  
with e-box, transformer and integrated radio module

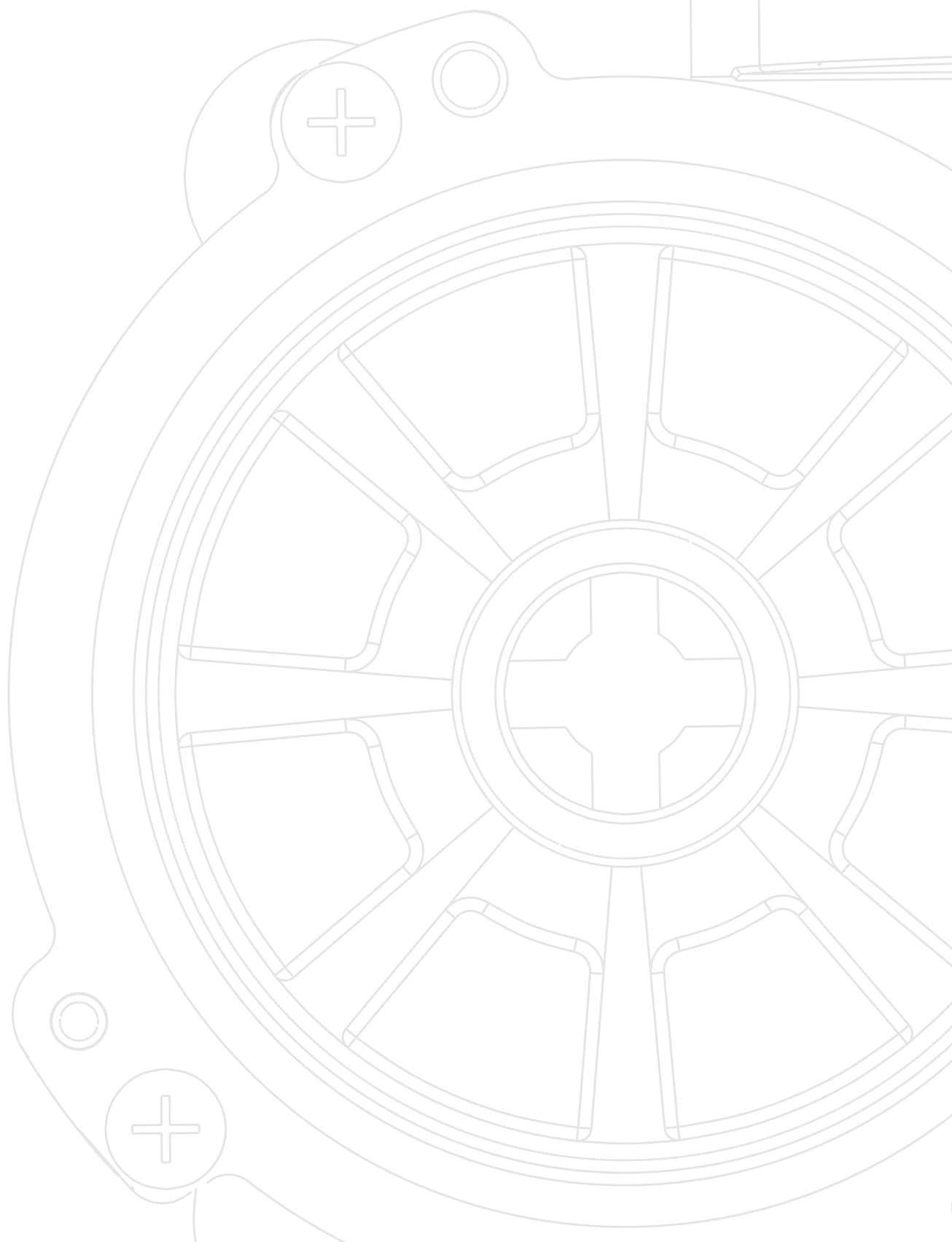


**TX4EVF**

4-channel transmitter 868 MHz



# Technical specifications gate openers



# OVERVIEW OPERATORS

## Technical details and specifications

		LA250EVK	LA300EVK	LA400EV*	AA250EVK
<b>Usage</b>	Swing gate	1 and 2 leaf standard	1 and 2 leaf standard	1 and 2 leaf standard	1 and 2 leaf wide pillar
	Sliding Gate	-	-	-	-
<b>Mechanical</b>	Max. gate leaf weight, kg	250 kg	300 kg	250 kg --> 300kg	250 kg
	Max. gate leaf width, m	2,5 m	3 m	4 m	2,5 m
	Gate leaf weight / width relation	250 kg / 1,5 m 200 kg / 2 m 150 kg / 2,5 m	300 kg / 2 m 250 kg / 2,5 m 200 kg / 3 m	250 kg / 4 m 160 kg / 5 m 140 kg / 5,5 m	250 kg / 1,5 m 200 kg / 2 m 150 kg / 2,5 m
	Max. opening angle	110°	120°	125 °	120°
	Torque / Pulling force	125 daN	150 daN	250 daN	200 Nm
	Time to open to 90°	15-18 s	15-18 s	15 s	13-15 s
	Piston travel	300 mm	350 mm (w/o hardstops) 300 mm (with hardstops)	400 mm	-
	Limit Switch system	encoder, gate hard-stop in open and close required	encoder, gate or operator hardstop in open and close required	Passpoint system	encoder, hardstop in open and close required
<b>Electrical</b>	Input Voltage	220-240 V AC	220-240 V AC	230-240 V AC	220-240 V AC
	Input Frequency	50/60 Hz	50/60 Hz	50/60 Hz	50/60 Hz
	Motor Voltage	24 V DC	24 V DC	24 V DC	24 V DC
	Standby consumption	3.7 W	4.2 W	4 W	3.2 W
	Cable length	1.5 m	1.5 m	3 m	-
	Battery back-up***	enabled	enabled	/	enabled
	Control board	external	external	external	built-in
<b>Features</b>	Automatic Force learning	x	x	x	x
	Automatic force reversal	x	x	x	x
	Soft Start / Soft Stop, adjustable	x	x	Soft-Stop only	x
	Force adjustment	x	x	-	x
	Speed adjustment	x	x	-	x
	Partial opening mode	x	x	x	x
	Adjustable Automatic Close (Timer to Close)	x	x	x	x
	Password protection	x	x	-	x
	LED Display for programming	x	x	-	x
	Maintenance counter	x	x	-	x
	2 wings application	x	x	x	x
	Wing 1 and Wing 2 delay in open and close, adjustable	x	x	x	x
	Individual IR settings	max. 3 IRs	max. 3 IRs	pre-defined, 3 IRs	max. 3 IRs
	Individual input setting	max. 3 inputs	max. 3 inputs	pre-defined	max. 3 inputs
Safety device autodetect (IRs, Safety Edge)	x	x	x	x	

		LA250EVK	LA300EVK	LA400EV*	AA250EVK
<b>Connectors</b>	Safety edge connector (8.2 K)	x	x	x	x
	IRs connector	x	x	x	x
	E-Lock / Mag-Lock connector	x	x	x	x
	Accessory output (max. 500 mA)	24VDC	24VDC	30VDC (max. 600mA)	24VDC
	Flashing Lamp connector	x	x	x	x
	Input connector (key switch, push button etc.)	x	x	x	x
	Relay connector	x	x	x	x
	Battery Back-up connector	x	x	x	x
	Synchronisation for 2 leaf application	-	-	-	-
<b>Radio</b>	Operating Radio Frequency	433 MHz / 868 MHz	433 MHz / 868 MHz	433 MHz / 868 MHz	433 MHz / 868 MHz
	myQ	enabled	enabled	enabled	enabled
	Code	Security+ 2.0	Security+ 2.0	Security+ 2.0	Security+ 2.0
	Max. nr of remotes	180	180	180	180
	Max. nr. of keypads	4	4	4	4
	Smartphone Control ****	enabled	enabled	enabled	enabled
	Max. nr. of myQ devices	16	16	16	16
<b>Conditions of use</b>	Max. cycles per hour	8	10	16	10
	Max. cycled per day	25	30	50	30
	Working temperature	-20°C to +55°C	-20°C to +55°C	-20°C to +55°C	-20°C to +55°C
	Ingress protection	IP44	IP44	IP44	IP44
	Noise Level	< 70 db(A)	< 70 db(A)	< 70 db(A)	< 70 db(A)
	Weight	19.6 kg	20.5 kg	8.2 Kg	20 kg

\* all data in combination with CB124EV

\*\* 2 leaf application possible via synchronisation function. 2nd sliding gate operator required.

\*\*\* Limited functionality in Battery Back-up operation

\*\*\*\* requires usage of a myQ gateway and a presence detecting device (IRs)

# OVERVIEW OPERATORS

## Technical details and specifications

		SUB324M*	SL400EVK	SL600EVK	SL1000EVK
<b>Usage</b>	Swing gate	1 and 2 leaf underground	-	-	-
	Sliding Gate	-	1 and 2 leaf**	1 and 2 leaf**	1 and 2 leaf**
<b>Mechanical</b>	Max. door leaf weight, kg	300 kg	400 kg	600 kg	1000 kg
	Max. door leaf width, m	2.5 m	5 m	8 m	12 m
	Gate leaf weight / width relation	300 kg / 1.5 m 250 kg / 2 m 200 kg / 2.5 m"	-	-	-
	Max. opening angle	180°	-	-	-
	Torque / Pulling force	350 Nm	400 N	600 N	800 N
	Time to open to 90°	15 s	-	-	-
	Standard opening speed	-	250 mm/sec	250 mm/sec	250 mm/sec
	Piston travel	-	-	-	-
Limit Switch system	Passpoint system	Encoder with magnet	Encoder with magnet	Encoder with magnet	
<b>Electrical</b>	Input Voltage	230-240 V AC	220-240 V AC	220-240 V AC	220-240 V AC
	Input Frequency	50/60 Hz	50/60 Hz	50/60 Hz	50/60 Hz
	Motor Voltage	24 V DC	24 V DC	24 V DC	24 V DC
	Standby consumption	4 W	4.45 W	4.4 W	4.2 W
	Cable length	2 m	-	-	-
	Battery back-up***	enabled	enabled	enabled	enabled
	Control board	external	built-in	built-in	built-in
<b>Features</b>	Automatic Force learning	x	x	x	x
	Automatic force reversal	x	x	x	x
	Soft Start / Soft Stop, adjustable	Soft-Stop only	x	x	x
	Force adjustment	-	x	x	x
	Speed adjustment	-	x	x	x
	Partial opening mode	x	x	x	x
	Adjustable Automatic Close (Timer to Close)	x	x	x	x
	Password protection	-	x	x	x
	LED Display for programming	-	x	x	x
	Maintenance counter	-	x	x	x
	2 wings application	x	x	x	x
	Wing 1 and Wing 2 delay in open and close, adjustable	x	-	-	-
	Individual IR settings	pre-defined, 3 IRs	max. 3 IRs	max. 3 IRs	max. 3 IRs
	Individual input setting	pre-defined	max. 3 inputs	max. 3 inputs	max. 3 inputs
Safety device autodetect (IRs, Safety Edge)	x	x	x	x	

		SUB324M*	SL400EVK	SL600EVK	SL1000EVK
<b>Connectors</b>	Safety edge connector (8.2 K)	x	x	x	x
	IRs connector	x	x	x	x
	E-Lock / Mag-Lock connector	x	x	x	x
	Accessory output (max. 500 mA)	30VDC (max. 600 mA)	24VDC	24VDC	24VDC
	Flashing Lamp connector	x	x	x	x
	Input connector (key switch, push button etc.)	x	x	x	x
	Relay connector	x	x	x	x
	Battery Back-up connector	x	x	x	x
Synchronisation for 2 leaf application	-	x	x	x	
<b>Radio</b>	Operating Radio Frequency	433 MHz / 868 MHz	433 MHz / 868 MHz	433 MHz / 868 MHz	433 MHz / 868 MHz
	myQ	enabled	enabled	enabled	enabled
	Code	Security+ 2.0	Security+ 2.0	Security+ 2.0	Security+ 2.0
	Max. nr of remotes	180	180	180	180
	Max. nr. of keypads	4	4	4	4
	Smarthphone Control ****	enabled	enabled	enabled	enabled
	Max. nr. of myQ devices	16	16	16	16
<b>Conditions of use</b>	Max. cycles per hour	/	7	8	10
	Max. cycled per day	60	25	27	30
	Working temperature	-20°C to +55°C	-20°C to +55°C	-20°C to +55°C	-20°C to +55°C
	Ingress protection	67	44	44	44
	Noise Level	< 70 db(A)	< 70 db(A)	< 70 db(A)	< 70 db(A)
	Weight	9.1 kg	11.1 kg	11.3 kg	11.5 kg

\* all data in combination with CB124EV

\*\* 2 leaf application possible via synchronisation function. 2nd sliding gate operator required.

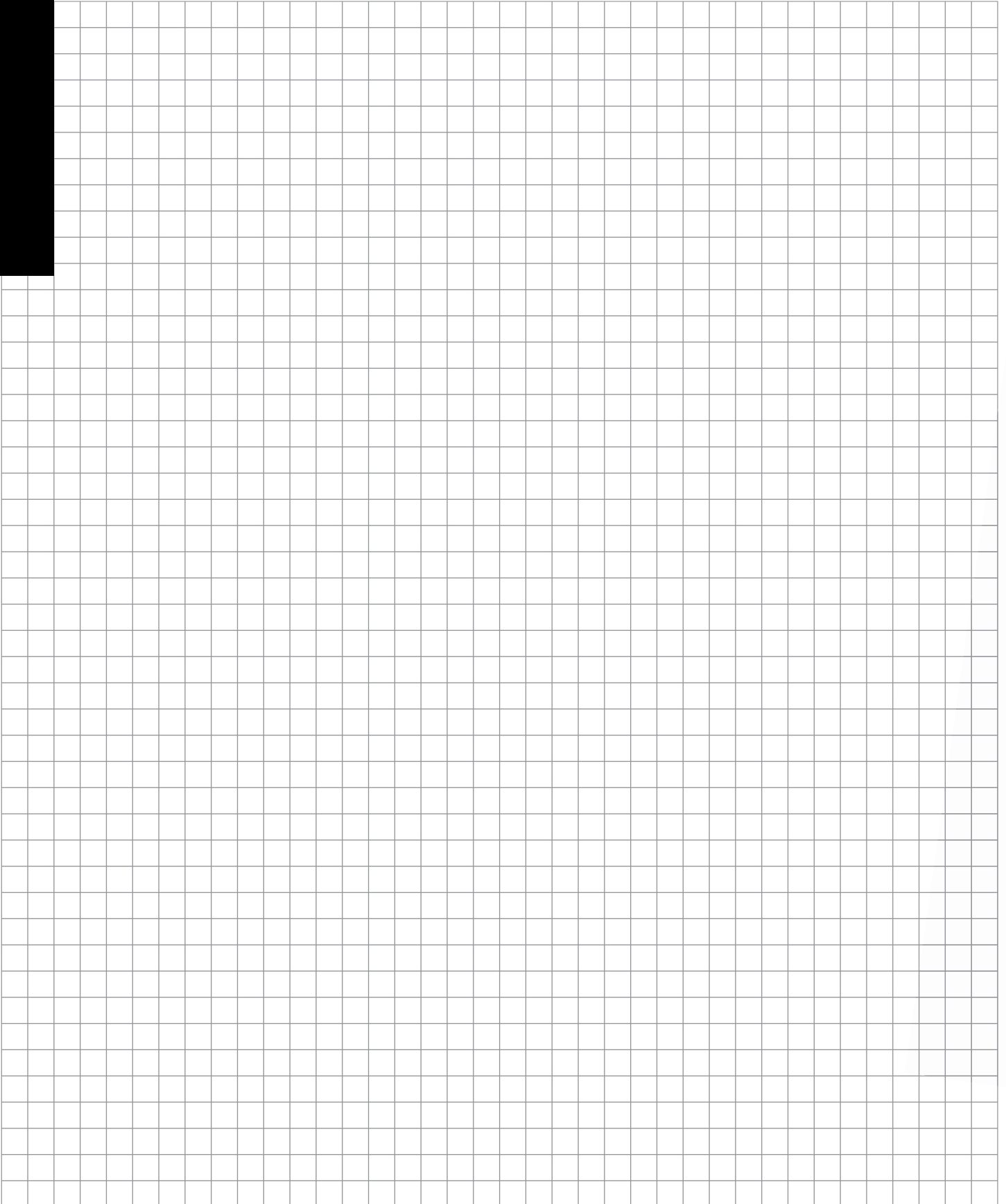
\*\*\* Limited functionality in Battery Back-up operation

\*\*\*\* requires usage of a myQ gateway and a presence detecting device (IRs)

# NOTES

Notes, sketches and drawings

---





CONVENIENT. ELEGANT. HIGH-PERFORMANCE.

**Well-conceived  
accessories  
for all needs.**



# ACCESSORIES OVERVIEW

Overview of compatibility of accessories for garage doors and gates

Article no.	Description	LM3800W	LM55EVF	LM60EVFA	LM80EVFA
828EV	Internet Gateway	x	-	x	x
827EV	myQ LED radio light	x	-	x	x
TX4EVF	4-channel remote transmitter	x	x	x	x
TX4UNIF	4-channel universal remote transmitter	x	x	x	x
TX4EVS	4-channel remote transmitter	x	x	x	x
TX4UNIS	4-channel universal remote transmitter	x	x	x	x
128EV	Wireless wall control	x	x	x	x
780EV	Wireless keypad 780EV	x	x	x	x
850EV	Wireless keypad 850EV	x	x	x	x
860EV	3-channel universal receiver	x	x	x	x
771EVK	Infrared safety sensor, recommended for EV/EVS/EVF & EVFA	x	x	x	x
771EV	Infrared safety sensor	x	x	x	x
G770E	Infrared safety sensor	x	x	x	x
772E-01	Infrared safety sensor	x	x	x	x
FLA1-LED	24V LED flashing light	x	-	x	x
1702EV	external quick-release	-	x	x	x
EQL01EV	Quick-release door handle	-	x	x	x
1703REV	Canopy door arm	-	-	x	x
78EV	Multi-function wall control	x	-	x	x
75EV	Illuminated push button	x	x	x	x
100034	Flush-mounted keyswitch	x	x	x	x
100041	Surface-mounted keyswitch	x	x	x	x
ADP-1EVO	Adapter for safety accessories, for EVFA series	-	-	x	x
8200	Door-in-gate switch (in connection with ADP1-EVO*)	-	-	x*	x*
PA-RTTX2	Transmitter for contact strips (in connection with ADP1-EVO*)	-	-	x*	x*
PA-RTR6	6-channel receiver (in connection with ADP1-EVO*)	-	-	x*	x*
PA-LD1	1-channel loop detector	-	-	-	-
600024	24 V e-lock	-	-	-	-
203285	12 V e-lock (in connection with 207399)	-	-	-	-
490EV	24 V back-up battery	-	-	-	-
PA-CEK10	Cable extension 10 m	-	-	-	-
PA-AA-SL1	Slide channel for AA250EVK	-	-	-	-
841EU	E-Lock for LM3800W	x	-	-	-
041A9264	Cable tension monitor LM3800W	x	-	-	-
485EU	Back-up battery for LM3800W	x	-	-	-



# Remote transmitter



**TX4EVF - 4-channel remote transmitter**  
**TX4UNIF - 4-channel universal remote transmitter**

- Remote control with a car key design
- Extra large buttons are more comfortable to use

**TX4EVF:** Security+2.0 Code  
 Frequency 868 MHz (blue LED)

**TX4UNIF:** Billion-, Rolling- or  
 Security+2.0 Code  
 Frequency 433 MHz (white LED)



**TX4EVS - 4-channel remote control**  
**TX4UNIS 4-channel universal remote transmitter**

Compact remote control with modern elegance: the sliding cover prevents unintended activation.

**TX4EVS:** Security+2.0 Code  
 Frequency 868 MHz (blue LED)

**TX4UNIS:** Billion-, Rolling- und  
 Security+2.0 Code Code  
 Frequency 433 MHz (white LED)



**041A4060 - car kit clip holder**

Clip holder to secure remote control to sunshade.  
 Contents: clip, screwdriver and screws

# Wall control



**128EV - wireless wall control**

- For Evolution radio
- With 433 MHz Security+2.0 Code
- 2 channels
- Elegant design
- Easy, wireless installation
- For inside use only



**78EV - Multi-function wall console**

Open and close your door without a remote control or key

- Switch your light on and off
- Teach remote control without climbing up a ladder
- For inside use only
- Lock function: prevents the door from opening with remote control (new for Evolution series)



**75EV - Illuminated push button**

Simply open and close the garage door with the push of a button:

- Cabled wall control
- With practical lighting
- For inside use only
- Simple and fast installation

# Convenience accessories



## 828EV - Internet Gateway

Connects the garage door drive to the internet via the router. This enables the door to be monitored and activated from anywhere in the world - simply via smartphone or tablet. Including safety sensor with obligatory installation.



## 827EV - myQ LED radio light

- Flexible positioning on the wall or ceiling (within 180 cm of a 220V plug socket)
- Control via smartphone via myQ-App, on the drive or individually with the remote control TX4EVF, TX4EVS, TXUNIF, TX4UNIS
- Lighting: LED, 1500 lm, 4000 k



## 860EV - 3-channel universal receiver

- 3-channels, 50 mA  
channel 1: max. 50 transmitters,  
channel 2: max. 20 transmitters,  
channel 3: max. 20 transmitters
- Compatible with all TX remote transmitters; radio 433, 868 MHz
- IP45 for use outdoors
- Switching time 250ms
- Relay contacts max. 5 A, 28 V AC/DC, voltage/power: 9-30 V AC or 9-34 V DC



## 780EV Wireless keypad

- 4-digit PIN number
- Temporary PIN code for visitors
- Convenient "single button close function"
- Simple, wireless installation
- Security+ 2.0® technology on 433Mhz
- For internal and external use



## 850EV Wireless keypad

- 4-digit PIN number
- 6-digit master PIN
- Simple removal of an individual PIN code
- Lock mode
- Simple, wireless installation
- Security+ 2.0® technology on 433Mhz
- For internal and external use



## STAR1000EV - Commercial Receiver

- Manages and controls underground car parks, living communities or family home complexes and offers up to 1,000 memory slots.
- 6-digit PIN protection
- Universal receiver for gate and commercial door operators
- Evolution Radio (Security+ 2.0®)
- Radio 433, 868 MHz
- For internal and external use

# Safety accessories



## 771EV - Infrared Safety sensor

- Compatible with all LiftMaster garage door and gate openers
- Power consumption: 20 mA max.
- IP44
- Incl. LED indicator
- 2-cable system
- Range 10 m



## 771EVK - Infrared safety sensor

- Compatible with all LiftMaster garage door and gate openers
- Power consumption: 20 mA max.
- IP44
- Incl. LED indicator
- Wall fittings and 2 x 10 m cable
- 2-cable system
- Range 10 m



## G770E - Safety sensor

- Compatible with all LiftMaster garage door openers
- Power consumption 13 mA max. / voltage 6 V
- IP56
- Red LED indicates whether light beam is continuous



## 772E-01 - Infrared safety sensor

- Compatible with all LiftMaster gate and garage door openers
- Modern and attractive design
- IP44
- Range 15 m
- 2-wire system with LiftMaster signal



## 77C1 - Aluminium mounting stand for safety sensor 550mm (pair)

- Pair of mounting stands for 772E-01
- Slim design
- Flexible application



## 77C2 - Aluminium mounting stand for safety sensor 1100mm

- Mounting stand for 772E-01
- Slim design
- Flexible application



## 77XBP - Installation plate for mounting stand

- For 77C1 and 77C2



## 772APE - Adapter plate for 772E-01

- Modern and attractive design
- Can also be used with vandalism protection 772VPE



## 772VPE - Protective cover against accidental damage and vandalism

- Modern and attractive design
- For 772E-01



**ADP-1EVO - Adapter for safety accessories**

- Adapter for EVFA series
- Enables connection for 8.2 kOhm
- Door-in-door switch and 8.2 kOhm contact strip
- Enables connection for 2 pairs of safety sensors 771EV, 772E-01 and 771EVK



**8200 - Door-in-door switch**

- For wicket doors (door-in-door)
- Prevents the opener from starting when the wicket door is opened
- Contents: Switch IP65, 8.2 kOhm
- Compatible with ADP-1EVO
- Cabled



**FLA1-LED - 24V LED flashing light**

- Lamp flashes as long as the drive is in motion
- Universally applicable for garage door and gate openers
- Contents: Lamp with control board and hardware



**1702EV - garage door opener external quick-release**

- For quick release from the outside during a power cut
- Stainless cover plate, 1.8 m cord
- For doors with up to 50 mm wall thickness
- Secure connection between cable and trolley



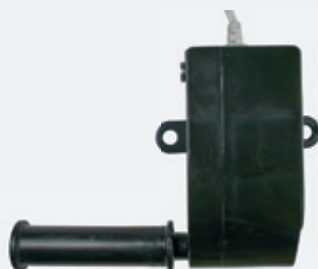
**EQL01EV - Door handle quick-release, cable length 2.5 m**

- For garage door openers to unlock from outside for manual opening
- By using door handle and lock
- Contents: steel cable, installation accessories and instructions



**841EU - E-lock for LM3800W**

- Locks the garage door automatically every time it is closed
- 12V, 10 m cable



**041A9264 - Cable tension monitor LM3800W**

- Cable tension monitor for doors without spring cable failure safety device
- Cable included



**485EU - Back-up battery for LM3800W**

- For installation in the opener's integrated battery compartment
- Ready to plug in 12 V

# Gate operator accessories



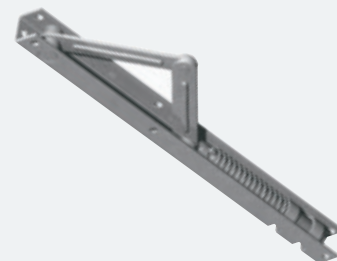
**203285 - 12 V e-lock**  
**600024 - 24 V e-lock**

- Compatible with all locks
- 203285 compatible with CB124EV
- Possible lock pressure of up to 200 kg
- 600024 compatible with LA250EVK, LA300EVK, AA250EVK, SL400EVK, SL600EVK and SL1000EVK



**207399 - Additional e-lock control**

- For CB124EV
- Supplies the e-lock with power (12 V)
- 230 V 50 Hz input



**203339 - Floor lock**

- Secures the standing leaves of a 2-wing door
- Active leaves can be successfully secure with the e-lock using this
- Prevents the installation of e-locks in the floor



**PA-RTTX2 - Transmitter for safety edge**

- Transmitter for safety edge, IP65
- Operating frequency 868MHz
- 4 automatically adjustable channels
- Controls up to 2 contact strips
- 50 m range limit
- 2 batteries (lifespan approx. 2 years)
- Compatible with PA-RTR6



**PA-RTR6 - 6-channel receiver**

- Receiver for safety edge
- Operating frequency 868 MHz
- 50 m range limit
- Memory, 6 transmitters (3 on relay 1, 3 on relay 2)
- IP54 (IP65 with cable glands)
- Compatible with PA-RTTX2



**PA-CEK10 - Cable extension 10m**

- Compatible with gate openers LA250EVK, LA300EVK and AA250EVK



**PA-LD1 - 1-channel loop detector**

- Incl. multi-coloured plug terminals





# Gate racks and stops



**202127-01 - Plastic toothed rack 1 x 1m**

- 1 x 1m
- 20 mm thick
- Including screws
- Easy to install



**202134-01 - Plastic toothed rack 4 x 1m**

- 4 x 1m
- Including screws
- Easy to install



**320001-01 - Steel toothed rack 1 x 1m**

- 1 x 1m
- 12 mm thick
- Easy to install
- Screws not included (320001B-01)



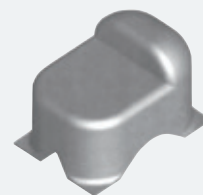
**202097-01 - Steel toothed rack 4 x 1m**

- 4 x 1m
- 12 mm thick
- Screws included (4x 320001B-01)
- Simple to install



**203315 - Low bottom bracket**

- 122 x 100mm
- Height 19mm
- Galvanised
- For installation with screws



**203322 - High bottom bracket**

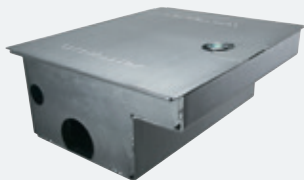
- 72 x 100 mm
- Height: 70 mm
- Galvanised
- For welding on or setting in concrete



**320001B-01 - Assembly kit**

- For toothed rack 320001-01

## For underground drive



**SUB300B-02 - Underground drive box**

- Galvanised
- Box with extra heavy design
- Rust-resistant due to zinc coating
- For SUB324M
- Right or left sided design



**SUB110-02 - 110° door arm**

- For underground drives
- Welded installation
- Ball bearing mounted
- Incl. adjustable hard-stops to open and close



**SUB180 - 180° door arm**

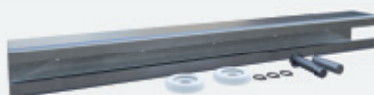
- For underground drives
- Opens door up to 180°
- Robust chain mechanism
- Integrated manual quick-release with key
- Ball bearing mounted
- Welded installation

## Separate accessories



**490EV - 24 V back-up battery for EVK gate series**

- For installation in the opener's integrated battery compartment



**PA-AA-SL1 - Slide channel**

- For AA250EVK
- Incl. Door installation bracket and screws
- 2.5 m or 300 kg



**1703REV Canopy door arm, The Chamberlain Arm™**

- Especially designed for the unique requirements of British canopy doors
- Delivered pre-assembled with an integral safety guard
- Easy installation
- Opens a door to the full position
- Includes: fully assembled door arm, straight connecting arm, hardware and mounting template

# Other accessories



## 100034 - Flush-mounted keyswitch

- 2-command
- Incl. Cylinder lock
- 75 x 75 x 60 mm
- ø 60 x 51 mm deep
- IP54
- 3 keys



## 100041 - Surface-mounted keyswitch

- 2-command
- Incl. Cylinder lock
- 75 x 75 x 50 mm
- IP54
- 3 keys



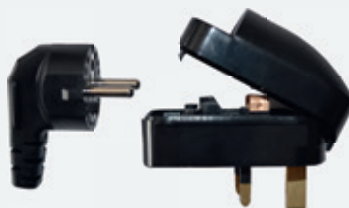
## SWG-ANT-EV - Antennae kit

- Universally applicable for gate openers with myQ control
- Incl. Antenna and 3 m cable



## 026B0127 - UK adapter

- Adapter for use in United Kingdom with Euro plug



## 026B0177 - UK adapter

- Adapter for use in United Kingdom with Schuko plug



## G23015UNI-01 15 V AC mains adapter

- Universal plug - Euro, UK
- 1.8m long connection cable



# OVERVIEW OF OPENERS

## Packaging and dispatch information

Article	EAN	Customs tariff number	Quantity/Pallets
LM3800W	4014243220565	84798997	24
LM55EVF	4014243221784	84798997	90
LM60EVFA	4014243224792	84798997	50
LM60EVFA-GB	4014243224808	84798997	50
LM80EVFA	4014243224815	84798997	50
LM80EVFA-GB	4014243224822	84798997	50
LM100EVFA	4014243224839	84798997	50
LM100EVFA-GB	4014243224846	84798997	50
LM130EVFA	4014243224853	84798997	40
LM750EVGB	4014243221777	84798997	32
AA250EVK	4014243222866	84798997	12
AA250EVK-01	4014243224211	84798997	12
AA250EVK-02	4014243224228	84798997	12
AA250EVK-03	4014243224235	84798997	12
LA250EVK	4014243222859	84798997	16
LA250EVK-01	4014243224150	84798997	16
LA250EVK-02	4014243224167	84798997	16
LA250EVK-03	4014243224174	84798997	16
LA300EVK	4014243222842	84798997	16
LA300EVK-01	4014243224181	84798997	16
LA300EVK-02	4014243224198	84798997	16
LA300EVK-03	4014243224204	84798997	16
LA400EV	4014243224075	84798997	30
SL400EVK	4014243222873	84798997	27
SL400EVK-01	4014243224242	84798997	27
SL400EVK-02	4014243224259	84798997	27
SL400EVK-03	4014243224266	84798997	27
SL600EVK	4014243222880	84798997	27
SL600EVK-01	4014243224273	84798997	27
SL600EVK-02	4014243224280	84798997	27
SL600EVK-03	4014243224297	84798997	27
SL1000EVK	4014243222897	84798997	27
SL1000EVK-01	4014243224303	84798997	27
SL1000EVK-02	4014243224310	84798997	27
SL1000EVK-03	4014243224327	84798997	27
SUB324M	4014243215257	84798997	40

Gross weight	Width (packaging)	Length (packaging)	Height (packaging)
14.85 kg	0.25 m	0.71 m	0.30 m
3.91 kg	0.20 m	0.35 m	0.20 m
4.73 kg	0.20 m	0.40 m	0.24 m
4.77 kg	0.20 m	0.40 m	0.24 m
5.26 kg	0.20 m	0.40 m	0.24 m
5.25 kg	0.20 m	0.40 m	0.24 m
5.58 kg	0.20 m	0.40 m	0.24 m
5.53 kg	0.20 m	0.40 m	0.24 m
7.49 kg	0.25 m	0.39 m	0.24 m
7.04 kg	0.32 m	0.49 m	0.23 m
22.65 kg	0.37 m	0.75 m	0.32 m
22.84 kg	0.37 m	0.75 m	0.32 m
22.90 kg	0.37 m	0.75 m	0.32 m
23.09 kg	0.37 m	0.75 m	0.32 m
19.13 kg	0.30 m	0.90 m	0.27 m
19.32 kg	0.30 m	0.90 m	0.27 m
19.38 kg	0.30 m	0.90 m	0.27 m
19.57 kg	0.30 m	0.90 m	0.27 m
21.88 kg	0.30 m	0.90 m	0.27 m
22.07 kg	0.30 m	0.90 m	0.27 m
22.13 kg	0.30 m	0.90 m	0.27 m
22.32 kg	0.30 m	0.90 m	0.27 m
8.72 kg	0.19 m	1.00 m	0.14 m
11.87 kg	0.32 m	0.36 m	0.41 m
12.06 kg	0.32 m	0.36 m	0.41 m
12.12 kg	0.32 m	0.36 m	0.41 m
12.31 kg	0.32 m	0.36 m	0.41 m
12.41 kg	0.32 m	0.36 m	0.41 m
12.60 kg	0.32 m	0.36 m	0.41 m
12.66 kg	0.32 m	0.36 m	0.41 m
12.85 kg	0.32 m	0.36 m	0.41 m
13.01 kg	0.32 m	0.36 m	0.41 m
13.20 kg	0.32 m	0.36 m	0.41 m
13.26 kg	0.32 m	0.36 m	0.41 m
13.45 kg	0.32 m	0.36 m	0.41 m
9.16 kg	0.25 m	0.36 m	0.17 m

# Be successful together


**As a trade specialist, you will receive the support you need from LiftMaster in order to familiarise yourself with our products and successfully use them in the scope of your business companies.**

---

Our trained employees are on hand with all their expert knowledge for any questions and will help you find the best solution:

- Does your customer have special requirements or present a particular challenge?
- Are you still looking for a suitable opener for your customer?
- Or would you like to extend your portfolio with smart solutions and create a real benefit for your customers with our innovative myQ technology?

We have the answers to your questions. Try us!



We are always here for you!  
Your personal contact partner is  
looking forward to your call or e-mail.  
Get in touch!

# Service & Contact



What really counts - our service promise:



**CONTINUITY IN QUALITY  
AND DELIVERY RELIABILITY**




**DISTINCT SERVICE  
ORIENTATION**




**FRIENDLY, MULTI-LINGUAL  
EMPLOYEES**



**CENTRAL CONTACT PARTNERS  
FOR ALL OF EUROPE**

 +49 (0) 681 870 80 172  [info@chamberlain.com](mailto:info@chamberlain.com)

 Chamberlain GmbH | Saar-Lor-Lux-Str. 19 | D-66115 Saarbrücken



**LiftMaster**

POWERED BY myQ

© 2022 LiftMaster all rights reserved

**Chamberlain GmbH, Saar-Lor-Lux-Str. 19, D-66115 Saarbrücken**  
**+49 (0) 681 870 80 172 | [info@chamberlain.com](mailto:info@chamberlain.com)**

LiftMaster.eu, WEEE reg. no. DE66256568  
myQ® is a registered trademark of the Chamberlain Group  
Wi-Fi® is a registered trademark of the Wi-Fi Alliance



LMCB2BEN • 04/22